

Easy Adjust Monitor Arm

MA240MB

Free up space on your desk and easily move your LCD monitor into the best ergonomic position. Highly adjustable arm moves up, down, forward and back with just a touch.



- Height easily adjusts up and down through 12.4" range
- Swivels 180° and tilts forward and back +55°/-90° for optimal ergonomic positioning
- Monitor can rotate portrait or landscape
- Pair with a 3M™ Monitor Arm Laptop Support or 3M™ Monitor Arm Tablet Support to position your laptop or tablet at the optimal viewing level
- Clamp and grommet mount systems included on desk mount model
- For monitors up to 20 lbs.
- Monitor screen size ≤27"
- Fits both 75 mm x 75 mm and 100 mm x 100 mm VESA-D monitor bolt hole patterns
- 5-year warranty



Highly adjustable arm



Cable management



Clamp and grommet mount on desk mount model

Easy Adjust System

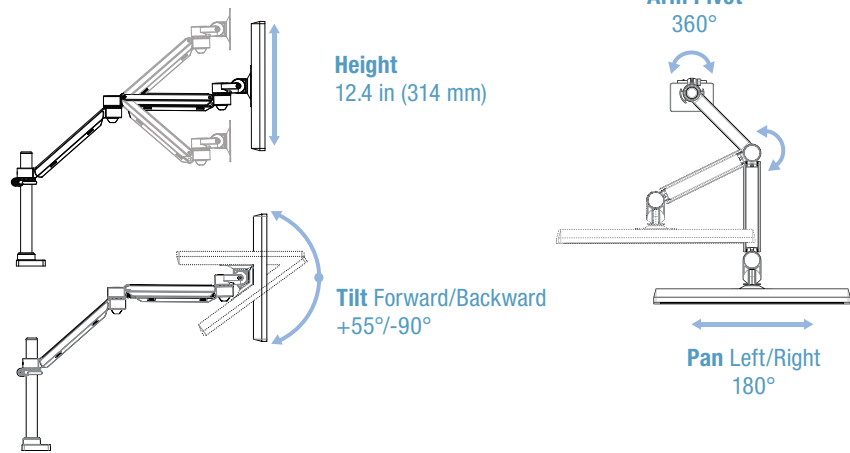
The easy adjust system lets the user change the height of their display with just the touch of a finger—and the display stays where it's positioned!

The easy adjust technology is reliable and robust. 3M easy adjust monitor arms can last for thousands of cycles without failing.

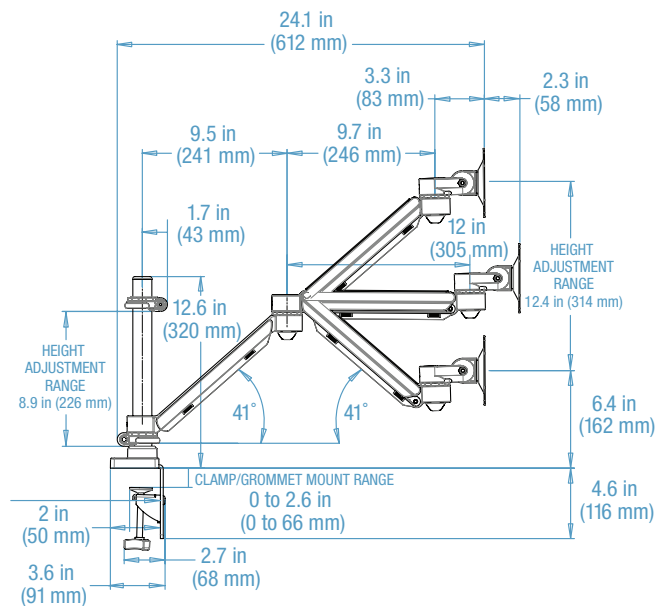
Specifications

Features Easy Adjust Technology	Yes
Monitor Weight Capacity	20 lbs.
Notebook Weight Capacity	20 lbs.
Recommended Monitor Screen Size	≤ 27"
Height Range of Adjustable Segments	12.4"
Tilt Range Forward/Backward	+55°/-90°
Swivel Left/Right	180°
Rotation Portrait/Landscape	360°
VESA MIS-D 75 mm and 100 mm Compatibility	Yes
Clamp Mount Max Surface Thickness	2.625"
Clamp Mount Min Surface Thickness	.5"
Grommet Mount Max Surface Thickness	3"
Grommet Mount Min Hole Size	.5"
Grommet Mount Max Hole Size	2"
Max Extension Length	25.5"
Max Mount Plate Height From Surface	27"
Min Mount Plate Height From Surface	5"
Recycled Content	45%
Warranty	5

Range of Motion



Dimensions



Stationery and Office Supplies Division

3M Center, Building 223-3S-03
St. Paul, MN 55144-1000
1 800 395-1223
www.3M.com/myworkspace

Please recycle. Printed in U.S.A.
3M is a trademark of 3M. © 3M 2013
70-0716-2946-6